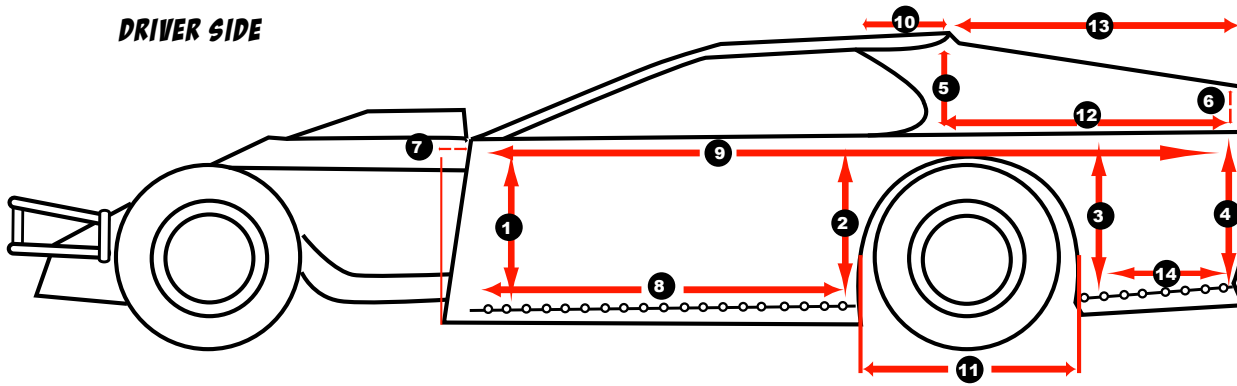


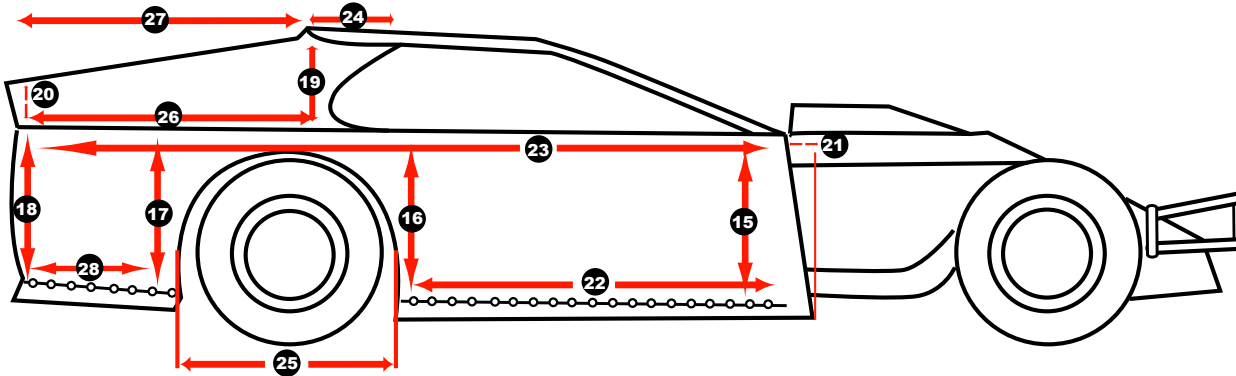
DRIVER SIDE



NOTE: DO NOT INCLUDE THE PLASTIC IN YOUR MEASUREMENTS.

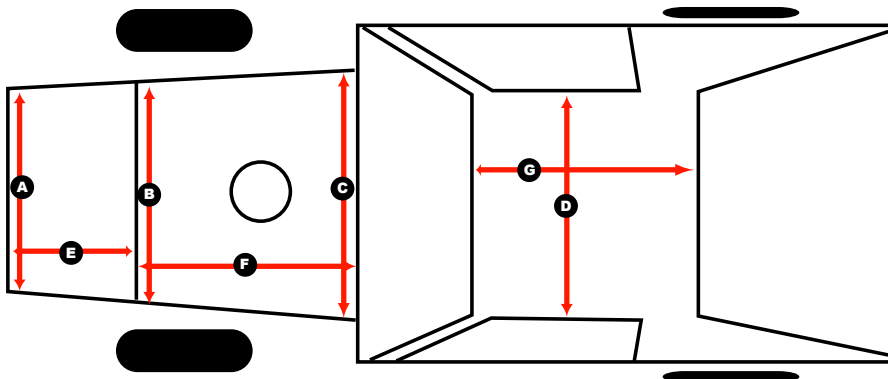
- 1: _____ INCHES
- 2: _____ INCHES
- 3: _____ INCHES
- 4: _____ INCHES
- 5: _____ INCHES
- 6: _____ INCHES
- 7: _____ INCHES
- 8: _____ INCHES
- 9: _____ INCHES
- 10: _____ INCHES
- 11: _____ INCHES
- 12: _____ INCHES
- 13: _____ INCHES
- 14: _____ INCHES

PASSENGER SIDE



NOTE: DO NOT INCLUDE THE PLASTIC IN YOUR MEASUREMENTS.

- 15: _____ INCHES
- 16: _____ INCHES
- 17: _____ INCHES
- 18: _____ INCHES
- 19: _____ INCHES
- 20: _____ INCHES
- 21: _____ INCHES
- 22: _____ INCHES
- 23: _____ INCHES
- 24: _____ INCHES
- 25: _____ INCHES
- 26: _____ INCHES
- 27: _____ INCHES
- 28: _____ INCHES



NOTE: DO NOT INCLUDE THE PLASTIC IN YOUR MEASUREMENTS.

- A: _____ INCHES
- B: _____ INCHES
- C: _____ INCHES
- D: _____ INCHES
- E: _____ INCHES
- F: _____ INCHES
- G: _____ INCHES

BODY MANUFACTURER: _____